

50m USB2.0 Extender over single Cat5e/6 Cable

Operating Instructions



Dear Customer

Thank you for purchasing this product. For optimum performance and safety, please read these instructions carefully before connecting, operating or adjusting this product. Please keep this manual for future reference.

FEATURES

- Each set includes one transmitter and one receiver.
- 1 in 4 out USB2.0 extender,data transmission upto 50m over a single Cat5e/6 cable.
- Build-in USB2.0 concentrator,support downward compatibility.
- Support various operating systems,MAC OS v8.6 and above version,windows7/8/10,Linux system.
- Support low-power dissipation,transmitter no need extra power supply.
- Support hot plug,without installing driver.
- Support keyboard/mouse hibernate or awaken PC in long distance.

NOTICE

Our company reserves the right to make changes in the hardware, packaging and any accompanying documentation without prior written notice.

TABLE OF CONTENTS

- Specifications
- Package Contents
- Panel Descriptions
- Connecting and Operating
- Typical Application
- Maintenance
- Product Service
- Warranty

SPECIFICATIONS

Operating Temperature Range	0 to +40 °C (+32 to +104 °F)
Operating Humidity Range	5 to 90%RH (No Condensation)
USB port at transmitter	1x USB Type B
USB port at receiver	4x USB2.0 Type A
Support operating systems	MAC OS v8.6 and above version, windows7/8/10, Linux system
USB read & write speed	USB2.0 standard
Transmitter USB electric current	Less than 0.1A
Data transmission Distance	50m over CAT5e/CAT6 cable
Receiver Power consumption	4watts(Maximum)
Dimension (L×W×H)	70x53.2x22mm
Net Weight	140g(Pair)

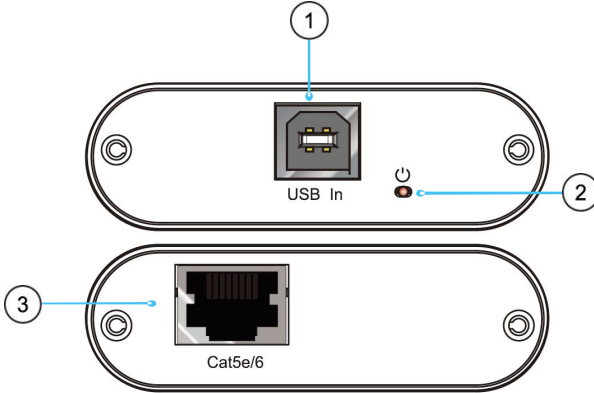
Note1: Specifications are subject to change without notice. Mass and dimensions are approximate.

PACKING CONTENTS

- 1) Main Unit. USB2.0 Extender
- 2) Operating Instructions
- 3) Power adapter DC 5V 1A x1PCS

PANEL DESCRIPTIONS

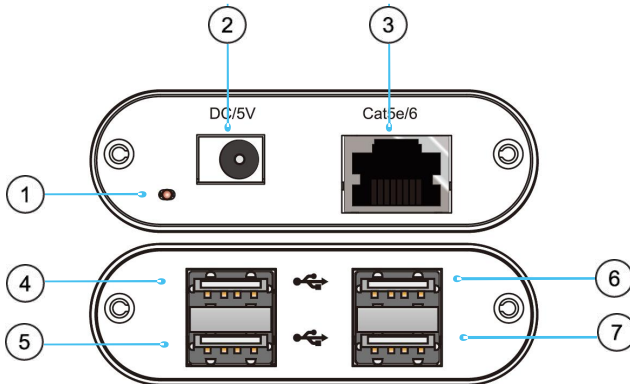
Transmitter Panel



- 1) USB Type B input.
- 3) Cat5e/6 output port.

- 2) Status of Power Input.

Receiver Panel



- 1) Status of Power Input.
- 3) Cat5e/6 input port.
- 5) USB Type A output.
- 7) USB Type A output.

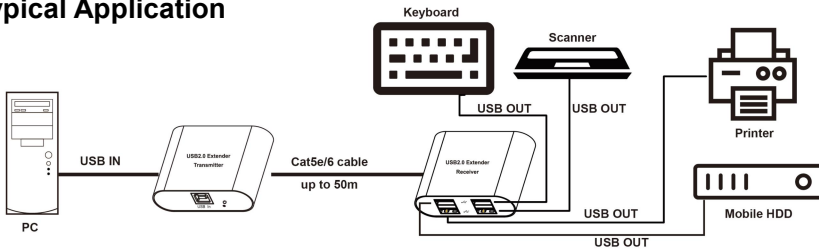
- 2) DC5V 1A Power.
- 4) USB Type A output.
- 6) USB Type A output.

CONNECTING AND OPERATING

- 2) Connect the data input source (such as PC host etc) into transmitter over USB cable.
- 3) Connect the output of transmitter and input of receiver over CAT5E or CAT6 cable.
- 4) Connect the data output (such as scanner/mouse/keyboard/printer/Mobile HDD etc.) into the receiver over USB cable.
- 5) Connect power adapter into the receiver.

NOTE: Insert/Extract cables gently.

Typical Application



MAINTENANCE

Clean this unit with a soft, dry cloth. Never use alcohol, paint thinner or benzene to clean this unit.

PRODUCT SERVICE

1) Damage requiring service:

The unit should be serviced by qualified service personnel if:

- (a) The DC power supply cord or AC adaptor has been damaged;
- (b) Objects or liquids have gotten into the unit;
- (c) The unit has been exposed to rain;
- (d) The unit does not operate normally or exhibits a marked change in performance;
- (e) The unit has been dropped or the cabinet damaged.

2) **Service Personnel:** Do not attempt to service the unit beyond that described in these operating instructions. Refer all other servicing to authorized servicing personnel.

3) **Replacement parts:** When parts need replacing ensure the servicer uses parts specified by the manufacturer or parts that have the same characteristics as the original parts. Unauthorized substitutes may result in fire, electric shock, or other hazards.

(a) **Safety check:** After repairs or service, ask the servicer to perform safety checks to confirm that the unit is in proper working condition.

WARRANTY

If your product does not work properly because of a defect in materials or workmanship, our Company (referred to as "the warrantor") will, for the length of the period indicated as below, **(Parts(2)Year, Labor(90) Days)** which starts with the date of original purchase ("Limited Warranty period"), at its option either(a) repair your product with new or refurbished parts, or (b) replace it with a new of a refurbished product. The decision to repair or replace will be made by the warrantor.