

# 4-PORT 4K HDMI KVM Switch

## OPERATION MANUAL

The device supports switching four computer's HDMI video and USB signals to one monitor and USB signals' device.

Apply to bank, transportation, education, home, conference, hotel, etc.



### **Dear Customer**

Thank you for purchasing this product. For optimum performance and safety, please read these instructions carefully before connecting, operating or adjusting this product. Please keep this manual for future reference.

### **FEATURES**

- Computer: HDMI input maximum support 4K2K30Hz RGB4:4:4, 8 Bit
- Display: HDMI input maximum support 4K2K30Hz YUV 4:4:4, 8 Bit
- The Four USB-TYPE B interface pass through three USB interface to the corresponding host of HDMI signal channel.
- Operating system support Windows 95/98/2000/2006/NT/XP/WIN7/WIN8/WIN10, Linux, Unix, MAC, etc
- Support hot plug, connect or disconnect devices to the KVM switch in any time and without turn off devices.
- Support auto switching (monitor the devices in a specified time interval.)
- Support keyboard's hot keys to control the KVM switch.
- Available to use keyboard and mouse without any delay after switching the host devices.
- With mounting ears

### **PACKING CONTENTS**

- HDMI KVM switch, 1 user manual.
- 12VDC Power Supply.
- Operating Instructions.
- Mounting ear 1 pair.

### **NOTICE**

Our company reserves the right to make changes in the hardware, packaging and any accompanying documentation without prior written notice.

**SPECIFICATIONS**

**1). Input resolution list**

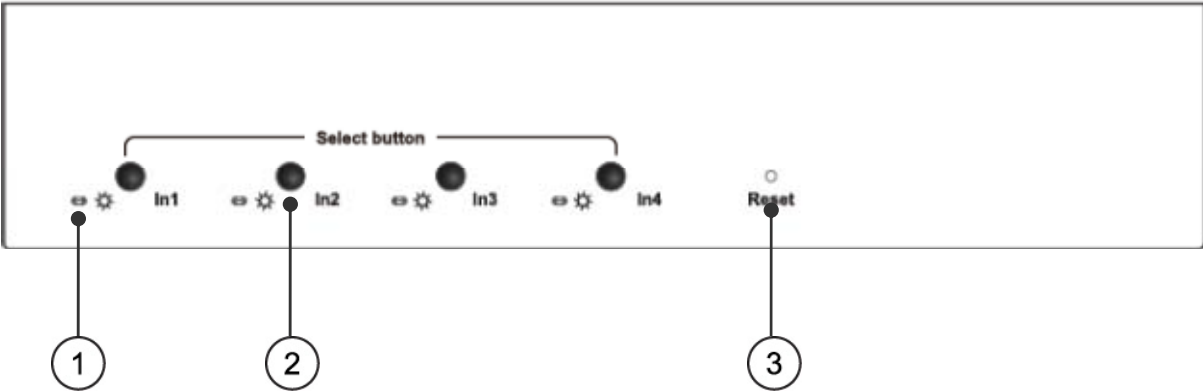
Resolution	I/P	Resolution	Color Space	Support
50Hz	P	720*576	√	√
	P	1280*720	√	√
	P	1920*1080	√	√
59.97/60Hz	P	720*480	√	√
	P	1280*720	√	√
	P	1920*1080	√	√
29.97/30Hz	I	720*480	√	√
	P	1280*720	√	√
	I	1920*1080	√	√
	P	1920*1080	√	√
	P	3840*2160	√	√
	P	1280*720 3D	√	√
	P	1920*1080 3D	√	√
25Hz	I	720*576	√	√
	P	1280*720	√	√
	I	1920*1080	√	√
	P	1920*1080	√	√
	P	3840*2160	√	√
23.97/24Hz	P	1280*720	√	√
	P	1920*1080	√	√
	P	3840*2160	√	√
	P	1280*720 3D	√	√
	P	1920*1080 3D	√	√

**2). VESA Resolution (RGB8bit)**

Output Device	Resolution	Refresh Rate		Copy mode	Only second screen mode
		PC	4K TV		
LENOVO ThinkPad E470c	800×600	60HZ	60HZ	√	√
	1024×768	60HZ	60HZ	√	√
	1152×864	60HZ	60HZ	√	√
	1280×600	60HZ	30HZ	√	√
	1280×720	60HZ	30HZ	√	√
	1280×768	60HZ	30HZ	√	√
	1280×800	60HZ	30HZ	√	√
	1280×960	60HZ	30HZ	√	√
	1280×1024	60HZ	60HZ	√	√
	1360×768	60HZ	60HZ	√	√
	1366×768	60HZ	30HZ	√	√
	1400×1050	60HZ	30HZ	√	√
	1440×900	60HZ	30HZ	√	√
	1600×900	60HZ	30HZ	√	√
	1680×1050	60HZ	30HZ	√	√
	1920×1080	60HZ	60HZ	√	√
	1920×1220	/	30HZ	/	√
	1920×1440	/	30HZ	/	√
	2048×1152	/	30HZ	/	√
	2048×1536	/	30HZ	/	√
	2560×1600	/	30HZ	/	√
	2560×1920	/	30HZ	/	√
	2560×2048	/	30HZ	/	√
	2840×2160	/	30HZ	/	√
4096×2160	/	30HZ	/	√	

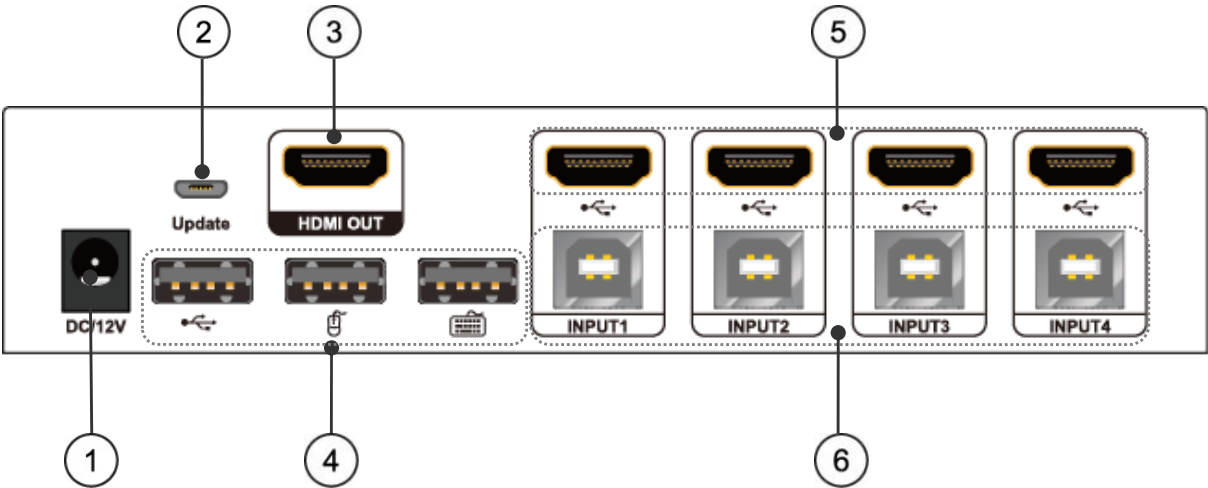
# PANEL DESCRIPTIONS

## Front Panel



- 1) Bi-coloured light  
(Green Status = USB connected                      Red Status = HDMI connected)  
    (Orange Status = USB + HDMI connected)
- 2) Select button(Reset & Switch).                      3) Rest status indication.

## Back Panel

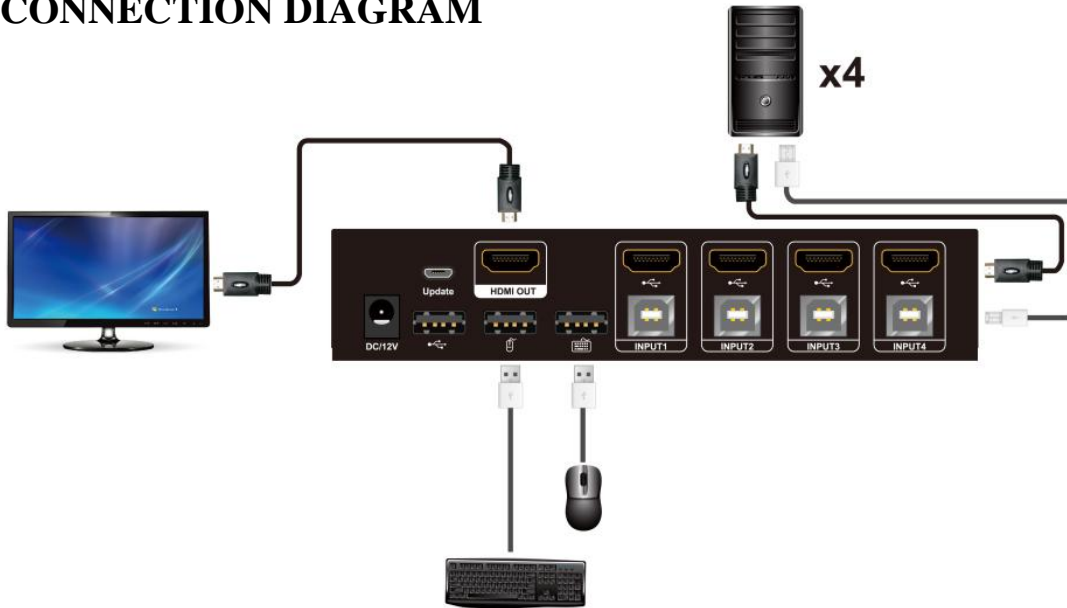


- 1) 12V DC power input.
- 2) Upgrading the firmware
- 3) HDMI out port.
- 4) USB keyboard and mouse output ports.
- 5) HDMI in ports.
- 6) USB keyboard and mouse input ports.

## Connecting and Operating

- (1) Connect all the PCs to the HDMI KVM switch, then start all the PCs.
- (2) After all the PCs are started in step 1, then you can switch to any PC by keyboard hot key or the key pad on the KVM panel. (For example, if you want to control the PC connected to HDMI IN 2 just press the key under the PORT 2 LED indicator, or the keyboard hot key commands described following).

## CONNECTION DIAGRAM



## HOW TO USE KEYBOARD HOT KEYS:

To enter Hotkey mode, press Scroll lock twice quickly, the buzzer beeps once.

Input any Hotkey combination that follows; the buzzer beeps once when input is completed.

Hotkey Combination	Function
+  +	Select port by number
+  +  +	Enable/disable buzzer
+  +	Automatic switching
+  +  +  +	Adjust auto-switch time from 5 to 999 seconds [n]
+  +  +	Auto switch to next valid port when a USB is removed (starting from 1-4,4-1)
<b>Note:</b> Default off <b>[0]</b> On <b>[1]</b>	
+  +  +	Insert Jump Mode (Switch to newly detected USB port)
<b>Note:</b> Default off <b>[0]</b> On <b>[1]</b>	
+  +  +	Insert Jump Mode Settings
<b>Note:</b> <b>[1]</b> : switch to new USB port each time <b>[0]</b> : only once	
+  +	Previous port
+  +	Next port

**FAQ**

Problems	Solutions
Keyboard and mouse don't work at all no matter which input port is switched to	Try below ways: 1. Unplug and plug the USB keyboard and mouse 2. Make sure the USB cable connections from KVM switch to host devices are all correct 3. Reset the KVM switch by press RESET key 4. Unplug and plug the power cord of the KVM switch then press RESET key 5. Make sure the precision of the mouse is less than 2000DPI
Only after switch to some input port the keyboard and mouse don't work	Make sure the USB cable connection from KVM switch to host devices is correct and the USB cable isn't broken
Mouse is slowed down/lag/delayed in Windows 95/98/2000 system	1. Go to device manager of the Windows, make sure the KVM USB device is recognized by Windows, if not, go to Windows control panel and add new hardware manually 2. After KVM USB device is recognized by Windows, install USB drivers in Windows device manager

**MAINTENANCE**

Clean this unit with a soft, dry cloth. Never use alcohol, paint thinner or benzene to clean this unit.

**PRODUCT SERVICE**

- 1) **Damage requiring service:** The unit should be serviced by qualified service personnel if:
  - (a) The DC power supply cord or AC adaptor has been damaged;
  - (b) Objects or liquids have gotten into the unit;
  - (c) The unit has been exposed to rain;
  - (d) The unit does not operate normally or exhibits a marked change in performance;
  - (e) The unit has been dropped or the cabinet damaged.
- 2) **Servicing Personnel:** Do not attempt to service the unit beyond that described in these operating instructions. Refer all other servicing to authorized servicing personnel.
- 3) **Replacement parts:** When parts need replacing ensure the service uses parts specified by the manufacturer or parts that have the same characteristics as the original parts. Unauthorized substitutes may result in fire, electric shock, or other hazards.
- 4) **Safety check:** After repairs or service, ask the service to perform safety checks to confirm that the unit is in proper working condition.

---

## **WARRANTY**

If your product does not work properly because of a defect in materials or workmanship, our Company (referred to as "the warrantor" ) will , for the length of the period indicated as below, **(Parts(2)Year ,Labor(90) Days)** which starts with the date of original purchase ("Limited Warranty period"), at its option either(a) repair your product with new or refurbished parts, or (b) replace it with a new of a refurbished product. The decision to repair or replace will be made by the warrantor.

During the "Labor" Limited Warranty period there will be no charge for labor.

During the "Parts" warranty period, there will be no charge for parts. You must mail-in your product during the warranty period. This Limited Warranty is extended only to the original purchaser and only covers product purchased as new. A purchase receipt or other proof of original purchase date is required for Limited Warranty service.

### **Mail-In Service**

When shipping the unit carefully pack and send it prepaid, adequately insured and preferably in the original carton. Include a letter detailing the complaint and provide a day time phone and/or email address where you can be reached.

### **LIMITED WARRANTY LIMITS AND EXCLUSIONS**

1) This Limited Warranty ONLY COVERS failures due to defects in materials or workmanship, and DOES NOT COVER normal wear and tear or cosmetic damage. The Limited Warranty ALSO DOES NOT COVER damages which occurred in shipment, or failures which are caused by products not supplied by warrantor, or failures which result from accidents, misuse, abuse, neglect, mishandling, misapplication, alteration, faulty installation, set-up adjustments, maladjustment of consumer controls, improper maintenance, power line surge, lightning damage, modification, or service by anyone other than a Factory Service center or other Authorized Service, or damage that is attributable to acts of God.

2) THERE ARE NO EXPRESS WARRANTIES EXCEPT AS LISTED UNDER "LIMITED WARRANTY COVERAGE".THE WARRANTOR IS NOT LIABLE FOR INCIDENTAL OR CONSEQUENTIAL DAMAGES RESULTING FROM THE USE OF THIS PRODUCT, OR ARISING OUT OF ANY BREACH OF THIS WARRNTY. (As examples, this excludes damages for lost time, cost of having someone remove or re-install an installed unit if applicable, travel to and from the service, loss of or damage to media or images, data or other recorded content. The items listed are not exclusive, but are for illustration only.)

3) PARTS AND SERVICE, WHICH ARE NOT COVERED BY THIS LIMITED WARRANTY, ARE YOUR RESPONSIBILITY.