



**LINK-MI**®  
LINK-MULTIMEDIA INTERFACE

**8x8 HDMI Matrix**  
**LM-MX88**

**Operation Manual**

**V1.1**

# 1. Introduction

The 8x8 HDMI Matrix with EDID control connects eight HDMI sources to eight displays. This matrix provides eight HDMI outputs and each HDMI output is supporting 1080p Full HD up to 4K plus all 3D formats and supporting independent EDID control. It works with Blu-Ray players, Set-Top boxes, Home Theater PCs, and game consoles that connect to an HDMI display. Any source is accessible at all times by any display by selecting it via the supplied IR Remote Control, RS-232, TCP/IP or by using the selection buttons on the front panel.

# 2. Features

- Supports HDCP2.2 input.
- HDMI V1.4 supports: 4K x 2K@30Hz, 1080P@120Hz, and 1080P 3D@60Hz
- Deep Color support 48/36/30/24-bit
- Supports LPCM 7.1CH, Dolby True HD, Dolby Digital Plus and DTS-HD Master Audio transmission
- Allows any HDMI display to view any HDMI source at any time
- 8-input ports support independent EDID
- Supports RS-232, remote control, on-panel control and TCP/IP Control
- Front-panel LCD display for status feedback

# 3. Package Contents

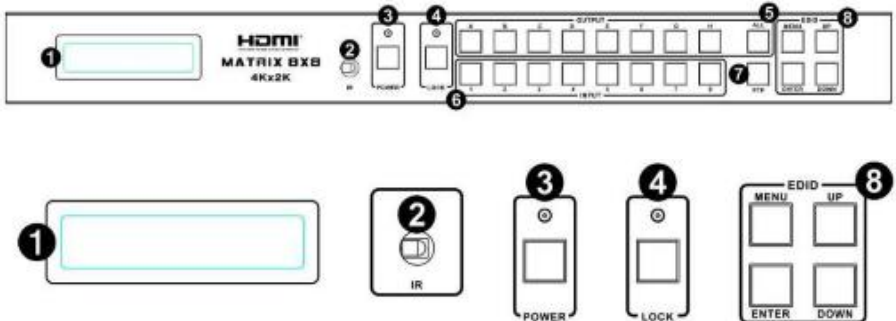
- 8x8 HDMI Matrix----- 1 pcs
- 12V/2.5A DC power adapter----- 1 pcs
- Operation Manual----- 1 pcs
- HDMI Matrix IR Remote----- 1 pcs
- Mounting ears----- 2 pcs
- RS232 cable----- 1 pcs

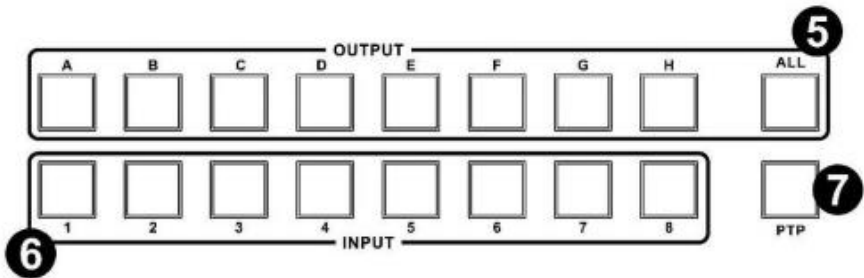
# 4. Specifications

Video Bandwidth	297 MHz
Support Video Resolution	480i,576i,480p,576p,720p,1080i,1080p @24/30/50/60Hz, 4K@30Hz, 1080P3D@60Hz
Input Ports	8×HDMI, 1×RS-232, 1xRJ-45(Control)
Output Ports	8×HDMI
ESD Protection	Human-body Model: ± 8kV (Air-gap discharge) ± 4kV (Contact discharge)
Power Supply	12 V/2.5 A DC (US/EU standards, CE/FCC/UL certified)
Dimensions	440 mm (W)×200 mm (D)×45 mm (H)
Weight	2310 g
Chassis Material	Metal
Silkscreen Color	Black
Operating Temperature	0 °C~40 °C/32 °F~104 °F
Storage Temperature	-20 °C~60 °C/-4 °F~140 °F
Relative Humidity	20~90 % RH (non-condensing)
Power Consumption	23 W(max)/0.5w(Standby)

# 5. PANEL FUNCTIONS

## 5.1 Front Panel





**1. LCD display :** Show the status of input-output selection, EDID info and so on.

**2. IR receiver window :** Receive the IR from the remote control of 8x8.

**3. POWER:** Press this button to power the device on/off. The LED will illuminate green when the power is on, red when it is in 'Standby' mode.

**4. LOCK:** Press this button to lock all the buttons on the panel, press again to unlock. The red LED will illuminate when the button is locked, on the contrary, turn dark when unlock.

**5. HDMI output selection button area :**

HDMI output selection button 1 to 8: Press to select the output from 1 to 8.

All button for HDMI outputs: Press to select all of the outputs from 1 to 8.

**6. HDMI input selection button area:**

HDMI input selection button 1 to 8: Press to select the input from 1 to 8.

**7. PTP button:** Press to mirror all inputs and outputs (e.g. output 1 to input1, output 2 to input2 and so on).

**8. EDID control area :**

Menu button: Press to enter EDID set mode.

Enter button: Press to confirm and save the setting.

UP button: Press to change segment's value.

Down button: Press to change segment's value.

## ※Note: The EDID mode table

### 1. #1 submenu: EDID mode table

Number	EDID Description
1	1080p, 2CH AUDIO
2	1080p, DOLBY/DTS 5.1
3	1080p, HD AUDIO
4	1080i, 2CH AUDIO
5	1080i, DOLBY/DTS 5.1
6	1080i, HD AUDIO
7	3D,1080p, 2CH AUDIO
8	3D, 1080p,DOLBY/DTS 5.1
9	3D,1080p, HD AUDIO
10	4k*2k@30Hz, 2CH AUDIO
11	4k*2k@30Hz, DOLBY/DTS 5.1
12	4k*2k@30Hz, HD AUDIO
13	4k*2k@60Hz, 2CH AUDIO
14	4k*2k@60Hz, DOLBY/DTS 5.1
15	4k*2k@60Hz, HD AUDIO
16	Copy from HDMI OUTPUT A
17	Copy from HDMI OUTPUT B
18	Copy from HDMI OUTPUT C
19	Copy from HDMI OUTPUT D
20	Copy from HDMI OUTPUT E
21	Copy from HDMI OUTPUT F
22	Copy from HDMI OUTPUT G
23	Copy from HDMI OUTPUT H

### 2. #2 submenu: Input ports selection

Number	Input port Description
1	Input 1
2	Input 2
3	Input 3
4	Input 4
5	Input 5

6	Input 6
7	Input 7
8	Input 8
9	Input ALL

### **EDID. What is it and what is it used for?**

Under normal circumstances, a source device (digital and analog) will require information about a connected device/display to assess what resolutions and features are available. The source can then cater its output to send only resolutions and features that are compatible with the attached device/display. This information is called EDID (Extended Display Information Data)

And a source device can only accept and read one EDID from a connected device/display. Likewise, the source can only output one resolution for use by a connected device/display.

### **Why is EDID so important with the HDMI Matrix ?**

The Matrix is complex piece of technology that replicates and switches between multiple inputs and outputs. Each connected source device will require one EDID to read. EDID management is carefully handled by HDMI Matrix to provide a single EDID for each source to read.

### **What options do I have to manage the EDID in the HDMI Matrix ?**

First, it is important to note that each source device can only output one video/audio signal type. This includes resolutions and timings. When multiple devices/displays are used, such as with the HDMI Matrix, it is important to use devices/displays that have similar or compatible resolutions/features. This will ensure that the single video/audio signal produced by the source device is accepted by all of the connected output devices/displays. The user has the option, through the EDID management window, to choose how the unit will manage the EDID from multiple HDMI devices/displays. Therefore the user has some control over the resolutions/features that the source devices will output. The HDMI Matrix for has a multiple EDID management modes that will control how the EDID information from multiple devices/displays are combined, ignored, and routed.

## How to operate the HDMI Matrix?

1. How to select Output and Input Port?

**Q.** OUTPUT-X select INPUT-Y:

**A.** Press OUTPUT-X (X means 1 to 8 of outputs, including ALL)

Press INPUT-Y (Y means 1 to 8 of inputs)

2. How to change INPUT-Y EDID

**Q.** Fixed EDID to INPUT-Y/ALL:

**A.** Press MENU button to enter EDID set mode.

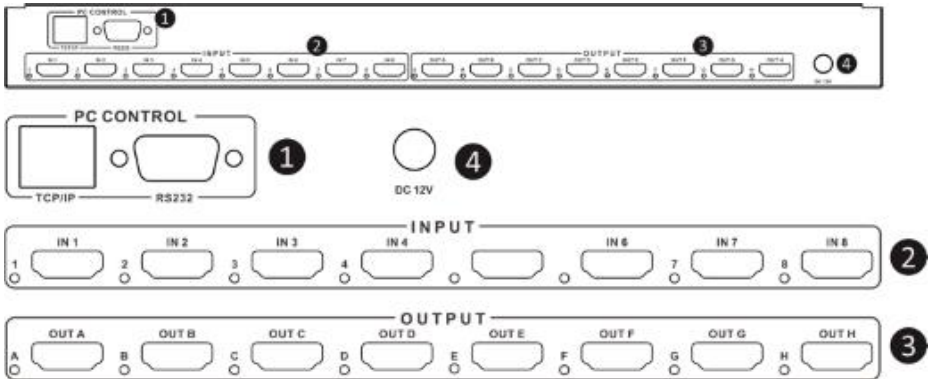
Press UP/DOWN button to select the EDID you want.

Press ENTER button ensure and enter Input port submenu.

Press UP/DOWN button to select Input port you want.

Press ENTER button ensure and save the setting.

## 5.2 Rear Panel



**1. PC CONTROL:** Show the status of input-output selection, EDID info and so on.

**TCP/IP:** This port is the link for TCP/IP controls, connect to an active Ethernet link with an RJ45 terminated cable.

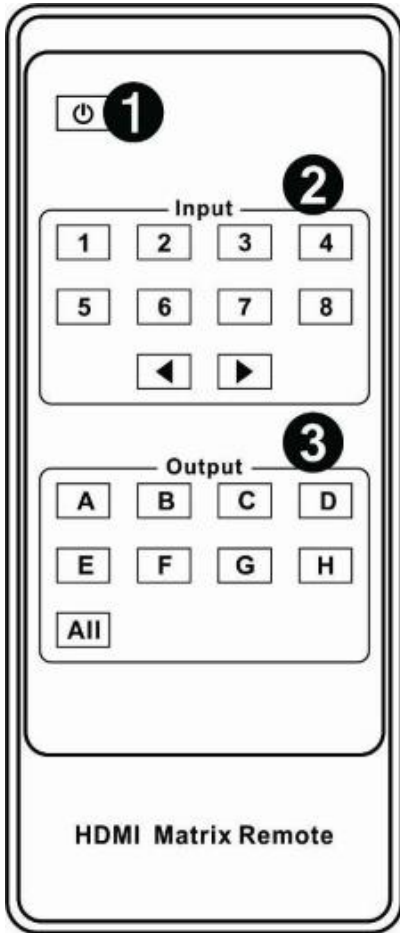
**RS232:** Connect to a PC or control system with D-Sub 9-pin cable for the transmission of RS-232 commands.

**2. HDMI INPUT Area :** Connect HDMI sources. LED 1-8 illuminate when the HDMI signal plug in corresponding input port with HDMI cable.

**3. HDMI OUTPUT Area:** Output for displays, AVR etc . LED A-H illuminate when the displays plug in corresponding output port with HDMI cable.

**4. Power port:** Use included DC adaptor to power the matrix switcher.

## 6. Remote Control



**Power on /Standby:** Press this button for power on the matrix or set it to standby mode.

**1.Input port selection area:** Press these buttons to select input 1-8. Press forward /backward button will cycle from input 1-8.

**2.Output port selection area:** Press these buttons to select output A-H, including ALL.

### How to operate the Matrix Remote?

1. Power on and standby

**Q.** How to power on and standby?

**A.** Press **Power on /Standby** button and wait a while.

2. How to select Output and Input Port?

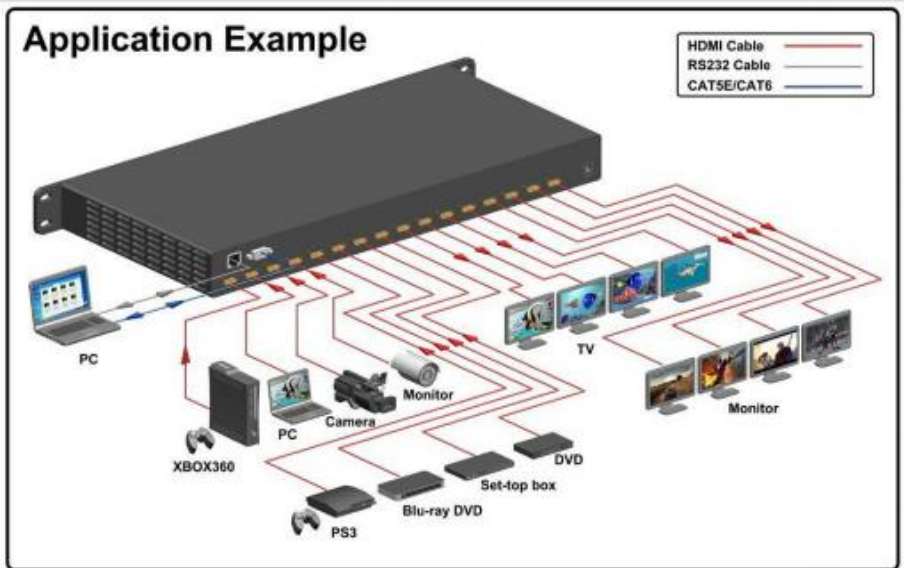
**Q.** OUTPUT-X select INPUT-Y:

**A.** Press OUTPUT-X (X means 1 to 8 of outputs, including ALL)

Press INPUT-Y (Y means 1 to 8 of inputs)



## 7. Operate and Connect



1. Connect up to 8 sources such as a Blu-Ray Player, game console, A/V Receiver, Cable or Satellite Receiver, etc. to the HDMI inputs on the unit. Do not hot plug! Insert and extract cables carefully with the power SWITCHED OFF. Connecting and disconnecting while the unit is powered can result in damage to circuitry.
2. Connect the HDMI output ports to high-definition displays such as an HDTV or HD projector that use HDMI inputs. Note that high-speed HDMI cables are recommended for the distances that are required for each connection.
3. For power, plug in the source first, followed by the Matrix Selector Switcher (power supply included), followed by each output connected.
4. Power on each device in the same sequence.

At this point each display connected should display the assigned source (input 1 at default when powered on initially), scroll through each of the sources on each display to ensure everything is in working order. Use included IR remote to test switching function. If a display is

having difficulty receiving signal, access the display's menu and adjust the resolution (lowest to highest until signal is displayed). A 24 Hz vertical refresh rate may work better than 60 Hz or higher.