

2-Port KVM Dual Monitor Switch User Manual

Products

HDMI KVM switch can two sets of high-definition video sources and USB interface to realize two choose one free switching, so that 2 hosts share 2 monitors and a set of keyboard and mouse and other USB devices. The device has excellent image processing and transmission capabilities, so that the output signal is more smooth and stable, is a reliable, high-performance, efficient HDMI and USB switching.

Product Features

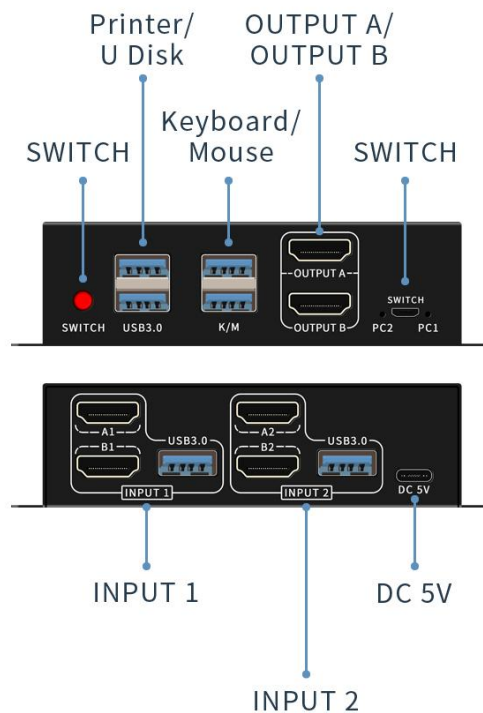
1. Supports a set of keyboard and mouse and 2 monitors to control 2 hosts
2. Supports Unix/Windows/MacOSX and other Linux-based operating systems.
3. Supports up to 4K 3840*2160@60HZ resolutions.
4. Hot-swappable, all devices connected to the KVM can be added or subtracted at any time without shutting down the host computer.
5. Supports desktop controllers and panel buttons to control KVM in two ways
6. Supports seamless switching between keyboard and mouse, no delay in switching hosts, no need to reinstall drivers
7. Supports additional standard USB3.0 ports for USB3.0 devices such as scanner guns, USB flash drives, removable hard drives, etc., and can be switched with the port.

Technical Parameters

Parameter name	explanation
----------------	-------------

HDMI	HDMI2.0	Maximum bandwidth 18G, maximum resolution 3840*2160@60Hz
	Maximum length of HDMI cable	Inputs and outputs are less than 3 meters
Switching method	Pushbutton + Desktop Controller	
USB	USB	USB3.0, backward compatible with USB2.0,USB1.1
	Maximum length of USB cable	Inputs and outputs are less than 2 meters
other	electricity supply	USB 5V 2A

Product Schematic



Packing list

2X2 switcher 1 pc Desktop controller 1pc
USB 3.0 cable 2 pcs USB power supply cable 1pc
Instruction manual 1pc

Connection Steps

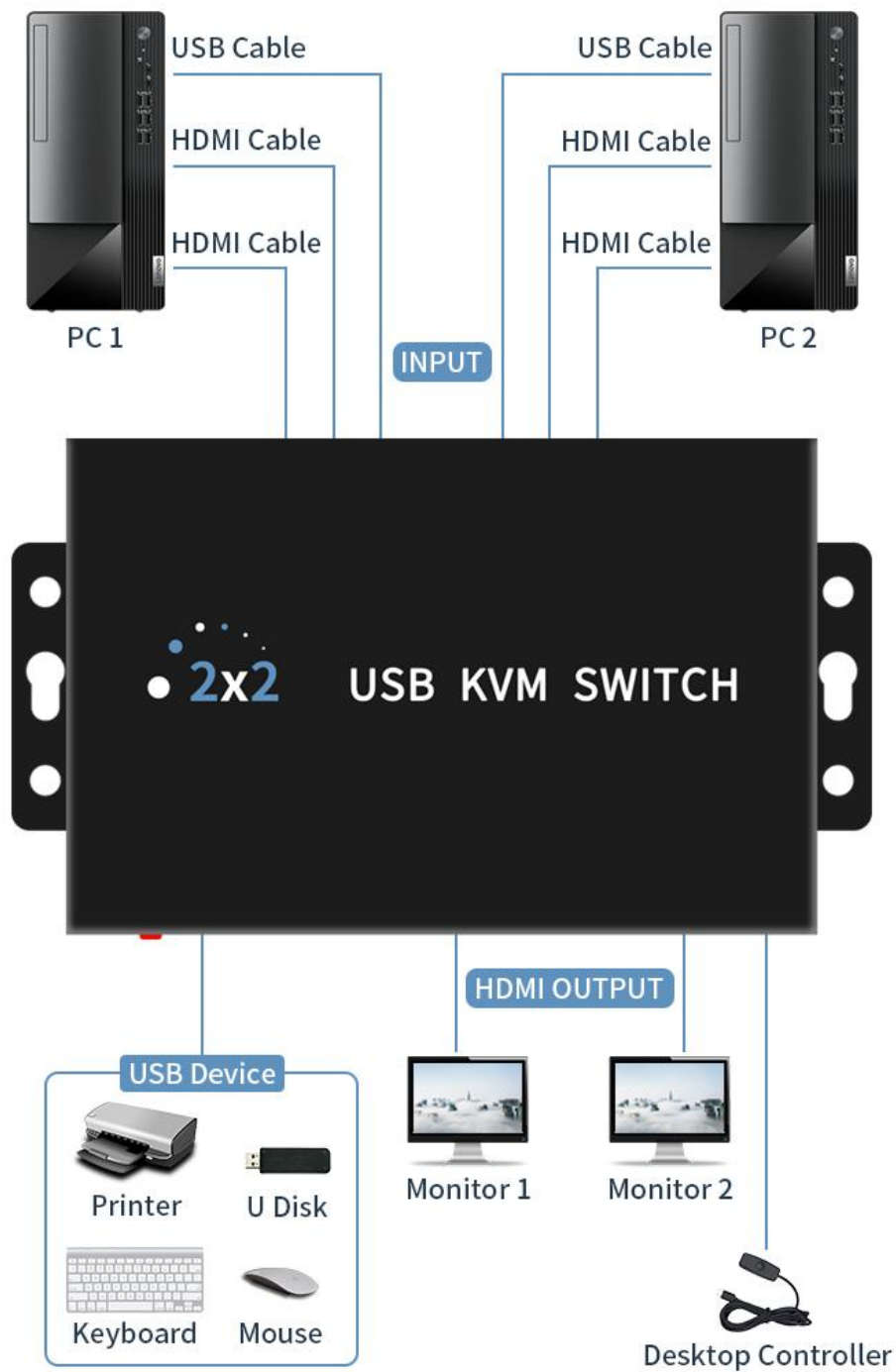
1, before using the KVM switch, please make sure that the resolution and refresh rate of the host output are compatible with the switch and your monitor, otherwise it may not be displayed after connection.

2, with 2 groups of HDMI (a total of 4) and USB cable (a total of 2) were connected to 2 computers and switches corresponding to the PC1 group and PC2 group of ports, HDMI cable and USB cable must be accessed, otherwise you can not share the video keyboard and mouse!

3, keyboard, mouse and U disk and other peripherals into the KM and USB ports, the four USB output ports have the same function.

4, OUTPUT port to connect two HDMI displays; SW port to connect an external desktop controller

5, connect the 5V USB power supply line.



Note: Each group of hosts of the two HDMI cable input need to be connected, otherwise it can not realize the dual-screen display function

Each group of hosts need to be connected to the USB cable, otherwise you can not share the keyboard and mouse and other USB devices